

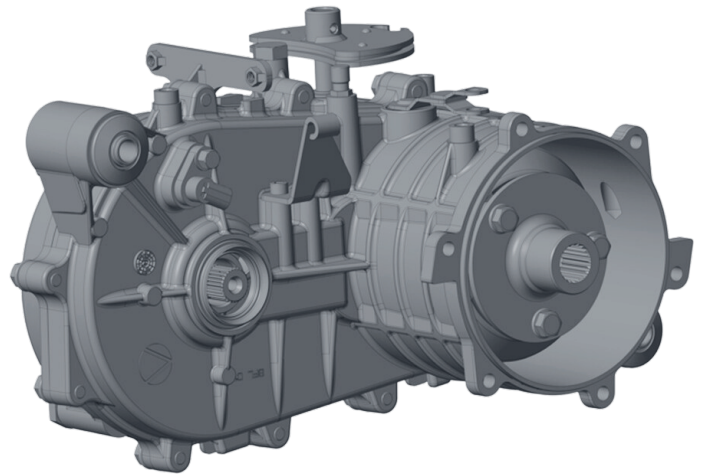
# Two Speed GearBox For Electric Vehicles

## Benefits

- Off-the-shelf 2-speed gearbox available to meet L5 requirements
- Customized solution for L5 electric vehicles
- Compact design
- Optimized performance, speed, acceleration, gradability and range
- Designed for maximum efficiency
- High-efficiency helical gear train for extended electric driving capacity
- Ease of shifting by synchronizer

## Features

- Manual 2-speed EV transmission, which increases efficiency and range of operation
- Lightweight aluminum alloy housings
- Provision of speed sensor
- Good shift quality by use of synchronizer
- Wet clutch for ease of shifting between gears.



### Specifications

Max input torque	60Nm
Continues input torque	30 Nm
Peak power	10 KW
Nominal power	7.5 KW
Max input rpm	6500 rpm
Lubrication Type	Splash lubrication
Oil	80W90 (Recommended)
Gear Actuation	Manual
Clutch	Wet Clutch
Envelop Space	370x230x260
Dry weight	15.5 Kg (with clutch)
Inclination Angle	17°
Efficiency	>95%

## Applications



### Application Policy

Capacity ratings, features, and specifications vary depending upon the model and type of service. Application approvals must be obtained from Kalyani Technoforge; contact our representative for application approval. We reserve the right to change or modify our product specifications, configurations, or dimensions at any time without notice.

### Corporate Office

S. No. 72/76, Mundhwa Industrial Area,  
Pune - 411036, Maharashtra, India

### Business Enquiry

Mayuresh Patil  
Phone: +91 89565 72970  
Email: enquiry.productbusiness@kalyanitechnoforge.com  
Website: www.kalyanitechnoforge.com